



cromox[®]

PREMIUM BRAND OF KETTEN WÄLDER GMBH



Swivel Lifting Point **CDAW**

Grade 60, AISI 318LN Duplex, blasted



LIFTING SERIES

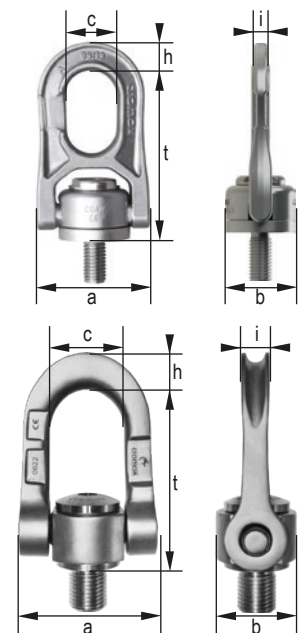
PRODUCT BENEFITS

- + 360° rotation and adjustable in any load direction
- + Different threads and lengths possible
- + Flattened section for combination with CGS
- + Screw secured at ring-body to prevent loss
- + Tested acc. EN 1677-1
- + Safety factor 4
- + High fatigue resistance - superior corrosion resistance
- + All parts 100 % crack detected

Type	WLL [t]	Dimensions [mm]						Thread	Thread length*	Weight [kg, approx.]
		a	b	c	h	i	t			
CDAW-05	0.50	66	42	31.0	16.5	11.0	100	M 10	15	0.500
CDAW-1	1.00	66	42	31.0	16.5	11.0	100	M 14	20	0.500

Type	WLL [t]	Dimensions [mm]						Thread	Thread length*	Weight [kg, approx.]
		a	b	c	h	i	t			
CDAW-2	2.00	100	50	53.5	26.0	20.5	127	M 20	30	1.770
CDAW-3	3.00	100	50	53.5	26.0	20.5	127	M 27	40	1.840
CDAW-5	5.00	120	60	64.0	31.5	26.0	146	M 36	54	3.500
CDAW-8	8.00	150	85	80.5	38.5	30.0	180	M 42	62	6.550
CDAW-10	10.00	171	98	92.5	44.0	35.0	207	M 48	72	9.620

*Special lengths and threads on request



cromox[®] products are developed and manufactured by Ketten Wälde GmbH, headquartered in Germany.

The cromox[®] stainless steel range of products use the highest levels of design, materials, and manufacturing processes to produce the best performing products for use in the harshest environments. Ketten Wälde GmbH is Lloyds Register approved manufacturer with LR certified proofing laboratory. The stringent testing procedures ensure cromox[®] products are manufactured to the highest quality.

Ketten Wälde's full membership at LEEA guarantees consistently high standards of quality and safety.

Made in Germany

KETTEN WÄLDER GMBH | IM GEWERBEGEBIET 5 | 83093 BAD ENDORF | GERMANY
+49 (0)8053 2029-0 | INFO@KETTEN-WAELDER.DE | KETTEN-WAELDER.DE

